



NORMA float-valve technical data sheet

Sommario

DESCRIPTION	3
TECHNICAL NOTES	3
COMPATIBILITY	3
FLOAT-VALVE ADJUSTMENT	4
MODELS	5

Norma float-valve for exposed cisterns

DESCRIPTION

NORMA float-valve is made of limescale-resistant materials and is compatible with all Kariba exposed cisterns manufactured since 1995 and with some models of ceramic cisterns.

Each float-valve is manufactured and tested in the factory and must meet Kariba's highest quality standards.

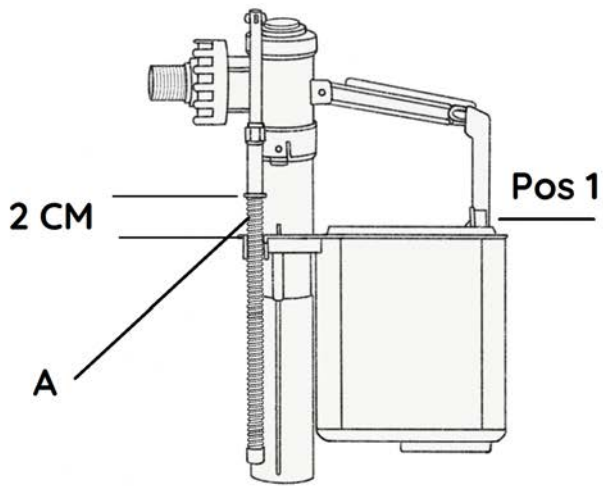
TECHNICAL NOTES

- Loading capacity 4.5/6 - 6/9 litres
- Fast filling of 0.12 litres/sec with 3/8" or 1/2" nozzle supply

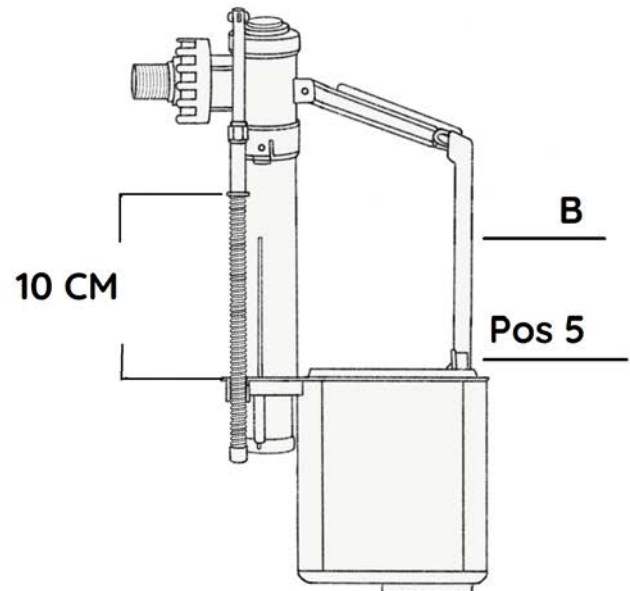
COMPATIBILITY

Adaptable, depending on version, and compatible with all Kariba cisterns manufactured since 1995 and some models of ceramic cisterns.

FLOAT-VALVE ADJUSTMENT



6 o 9 lt









4,5 o 6 lt

1. Release the threaded rod (A) from its seat
2. Move the graduated lever (B) from position 1 to position 5.
3. Reinsert the threaded rod into its seat

S



MODELS

PHOTO	CODE	DESCRIPTION
	300385	Norma float-valve with 1/2" brass fitting
	300390	Norma float-valve with 3/8" plastic fitting
	300386	Norma float-valve with 3/8" brass fitting
	300386C	Norma float-valve for ceramic cisterns with 3/8" brass fitting
	300082	Plunger kit with pad seal and cap
	300083	Nozzle kit with o-ring