

Corner exposed cisterns



---

**KARIBA ANGOLO technical data sheet**

---

## Sommario

DESCRIPTION	3
FEATURES	3
TECHNICAL NOTES	3
STANDARD SUPPLY	3
PACKAGING	3
PACKAGING	4
MODELS:	4
DIMENSIONS	5
SPARE PARTS	6
LIST	6
ACCESSORIES ON DEMAND	7

# KARIBA ANGOLO

## Exposed flush cistern for corner installations

### DESCRIPTION

KARIBA ANGOLO is an exposed flush cistern suitable for corner installations.

KARIBA exposed cisterns are equipped with a fast and silent float valve with various water connection possibilities.

Each cistern is produced with top quality materials and with components 100% tested in production with water supply.

EN 14055 CL1 - 9 - NL II - VR II regulation

### FEATURES

#### Features and plus



Corner installations



Single button with rinse interruption option



9lt in-wall cistern (adjustable to 6lt)



100% Made in Italy

### TECHNICAL NOTES

- Capacity 9 lt with possibility of adjustment to 6 lt
- Single side button with rinse interruption option
- Plastic body
- Right or left side water connection
- Norma float-valve

### STANDARD SUPPLY

- Stop valve
- Wall mounting accessory kit
- Discharge pipe
- Connection gaskets




S

### PACKAGING

CODE	PCS	LxWxH	WEIGHT
KARIBA ANGOLO	1	320x315x355 mm	2.5 kg

## PACKAGING

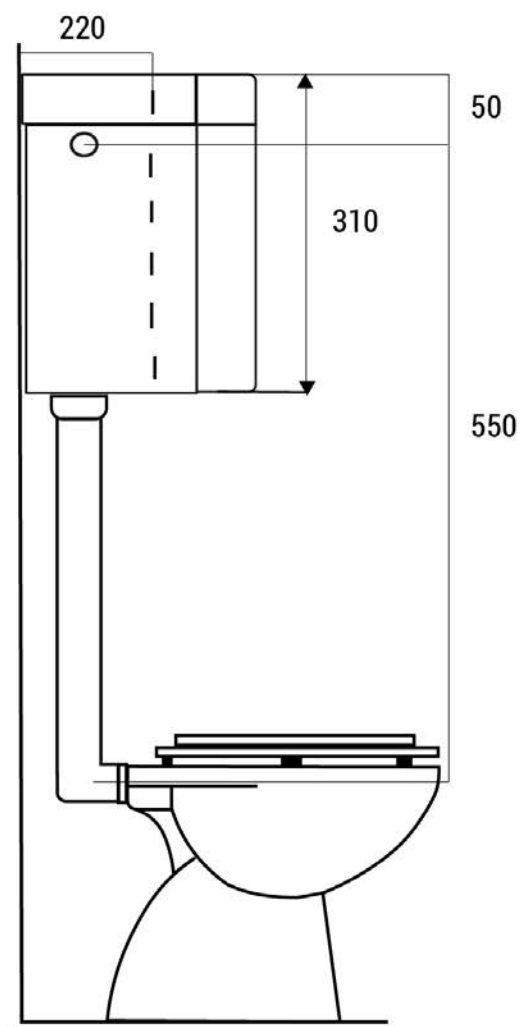
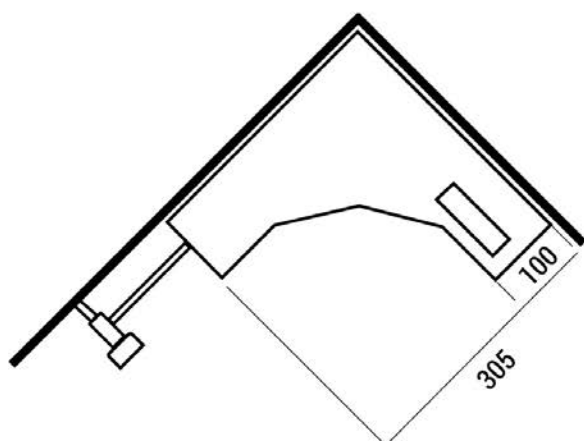


packaging		pcs	L-P-H
	single	1	320x315x355
	multiple	4	800x400x470
	pallet	48	800x120x2000

## MODELS:

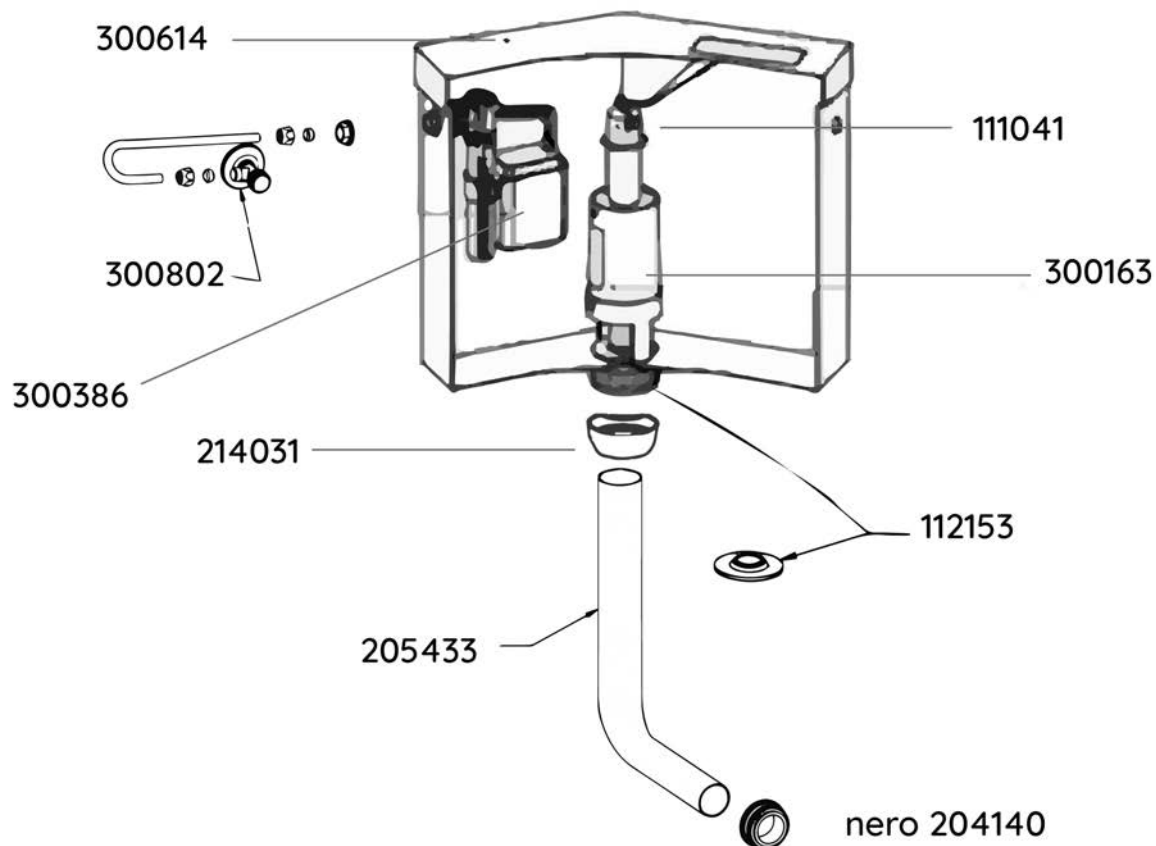
CODE	DESCRIPTION
333009	KARIBA ANGOLO Ø 40 mm

## DIMENSIONS



S

## SPARE PARTS



S

## LIST

CODE	DESCRIPTION
300614	Lid with push-button lever
214031	Nut with gaskets
111041	Anchor
300163	Discharge valve
112153	Silicon gasket
300386	"Norma" float-valve 3/8"
300802	Stop valves
300839	Angolo cistern fixing kit with connection gasket
205433	Pipe 50x40x320mm
204140	Black clamp gasket ø 40 mm for WC coupling

## ACCESSORIES ON DEMAND

CODE	DESCRIPTION
215313	Pipe 50x32x1000mm
215363	Pipe 50x32x600mm
255353	Dismountable pipe 50x32x935mm
300336	Norma-Plus float, acoustic class 1 LGA approved

S