

Low position cisterns



---

LUX technical data sheet

---

## Sommario

DESCRIPTION	3
FEATURES	3
TECHNICAL NOTES	3
STANDARD SUPPLY	4
ON DEMAND	4
PACKAGING	4
PACKAGING	5
MODELS:	5
DIMENSIONS	5
SPARE PARTS	6
LIST	6
ACCESSORIES ON DEMAND	6

# LUX

## Exposed flush cistern for monoblock installations

### DESCRIPTION

LUX exposed flush cistern is suitable for monoblock installations.

LUX is made with an anti-ageing ABS body and is equipped with a flushing side button with the possibility of interrupting the rinse.

KARIBA exposed cisterns are equipped with a fast and silent float valve with various water connection possibilities.

Each cistern is produced with top quality materials and with components 100% tested in production with water supply.

EN 14055 CL1 - 9 - NL II - VR II regulation

### FEATURES

#### Features and plus



Monoblock installation



Single button with rinse interruption option



9lt in-wall cistern (adjustable to 6lt)



100% Made in Italy



Pneu version available. Suitable for people with motor disabilities

### TECHNICAL NOTES

- Capacity 9 lt with possibility of adjustment to 6 lt
- Single side button with rinse interruption option
- Anti-condensation and soundproofing insulation
- Right or left side water connection
- Norma-Plus float-valve
- ABS body with anti-ageing treatment
- Cistern with universal connections adaptable to all types of monoblock WCs

S

## STANDARD SUPPLY

- WC fixing accessory kit
- Connection gaskets

## ON DEMAND

- Pneumatic lifting device cod. 400021 (standard for code 335030)
- Pneumatic controls

## PACKAGING

CODE	PCS	LxWxH	WEIGHT
LUX	1	410x165x443 mm	3.5 kg

## PACKAGING



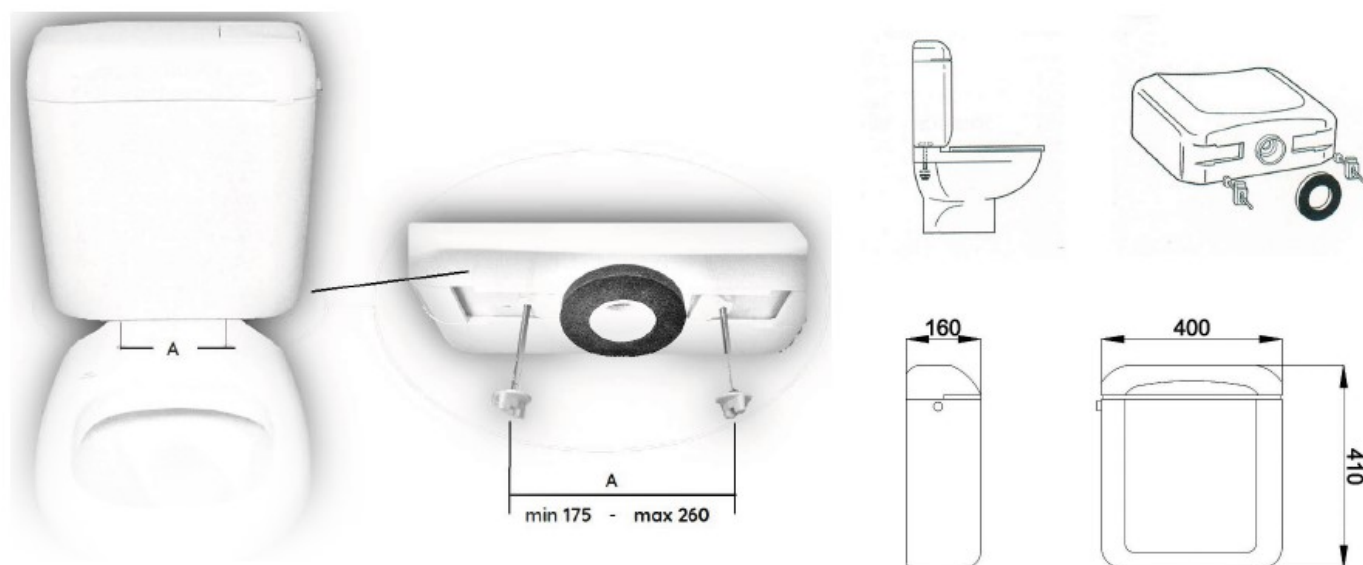
packaging		pcs	L-P-H
	single	1	410x165x443
	multiple	5	860x423x470
	pallet	60	128x128x1530

## MODELS:

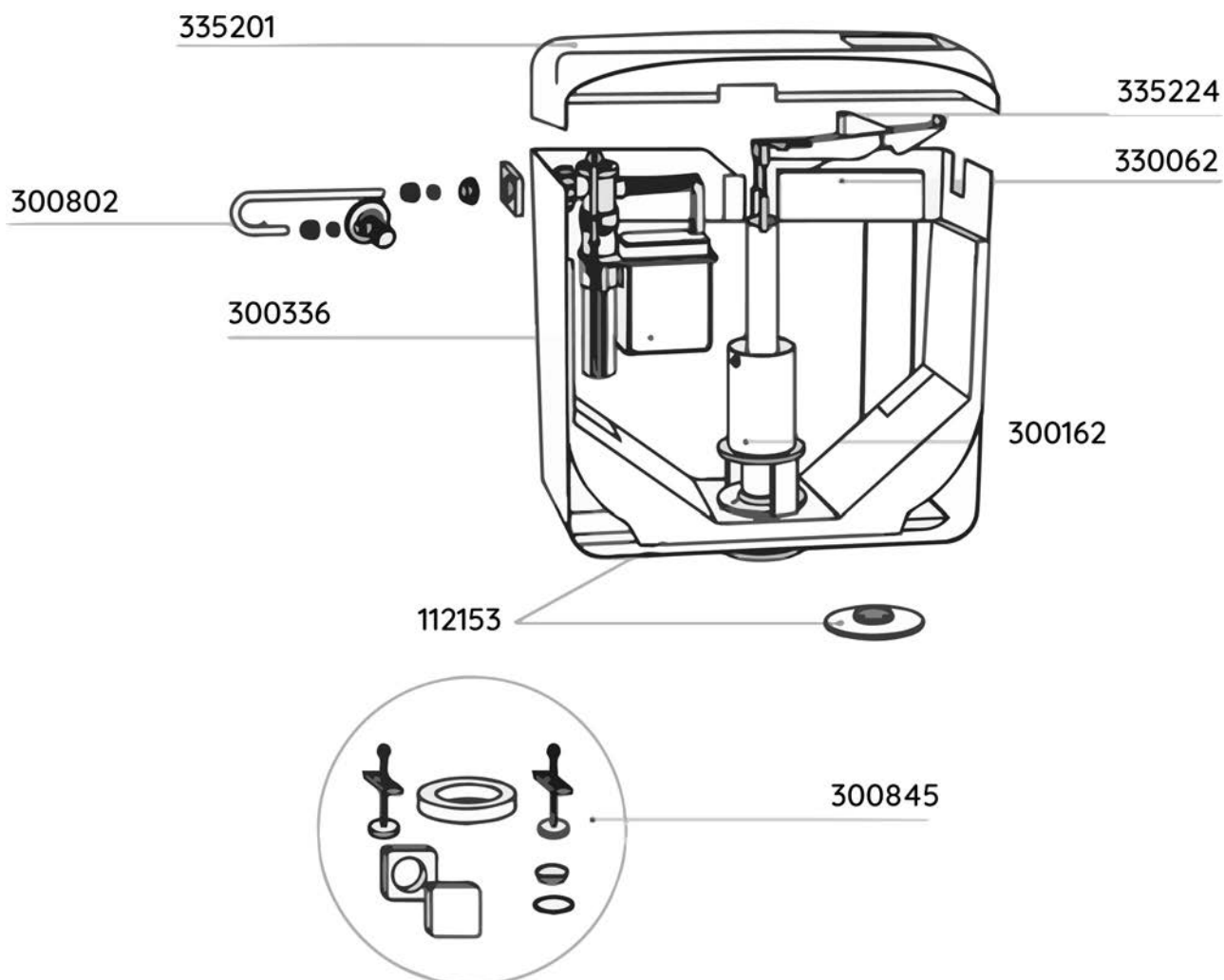
CODE	DESCRIPTION
335000	LUX MONOBLOCK
335001	LUX MONOBLOCK PNEU WITHOUT STOP-VALVE
335000CH	LUX MONOBLOCK CHAMPAGNE
335030	LUX MONOBLOCK WITHOUT REMOTE BUTTON

S

## DIMENSIONS



## SPARE PARTS



S

## LIST

CODE	DESCRIPTION
330062	Window for Lux
335224	Lever group with anchor
300845	Lux fixing kit
300802	Stop valves
335201	Lid with flush button
335209	Lux button
300162	Discharge valve
112153	Silicon gasket
300336	NORMA-PLUS float valve, acoustic cl.1, LGA-TUV approved

## ACCESSORIES ON DEMAND

CODE	DESCRIPTION
400021	Pneumatic lifting device (standard for code 335030)
400101	Flush-mounted white pneu button
400103	Wall-mounted white pneu button
300386	"Norma" float-valve 3/8"