

Low-medium position cisterns



SLIM 116 technical data sheet

Sommario

DESCRIPTION	3
FEATURES	3
TECHNICAL NOTES	3
STANDARD SUPPLY	3
PACKAGING	3
PACKAGING	5
MODELS:	6
DIMENSIONS	6
SPARE PARTS	7
LIST	7
ACCESSORIES ON DEMAND	8

SLIM 116 SLIM

Exposed flush cistern with reduced thickness for low or medium position installations

DESCRIPTION

SLIM 116 exposed flush cistern is suitable for low or medium position installations.

Thanks to its thickness of only 11.6 cm, SLIM 116 is ideal for limited spaces where vertical positioning of the toilet seat is compromised.

SLIM 116 is made with an anti-ageing ABS body and is equipped with a single button with start-stop function. Each cistern is produced with top quality materials and with components 100% tested in production with water supply.

EN 14055 CL1 - 9 - NL II - VR II regulation

FEATURES

Features and plus



Low-medium position



Single button with start-stop function



6-9lt in-wall cistern



100% Made in Italy

TECHNICAL NOTES

- 6-9 lt capacity
- Minimum depth of installed product 116 mm
- Single side button with start-stop function
- ABS body with anti-ageing treatment
- Anti-condensation and soundproofing insulation
- Left or right and rear water connection in the centre
- Norma float-valve
- Flat top lid
- Can be operated by pneumatic remote button

STANDARD SUPPLY




- Stop valve
- Wall mounting accessory kit
- Discharge pipe
- Connection gaskets

PACKAGING

CODE	PCS	LxWxH	WEIGHT
SLIM 116	1	520x136x439 mm	3.4 kg

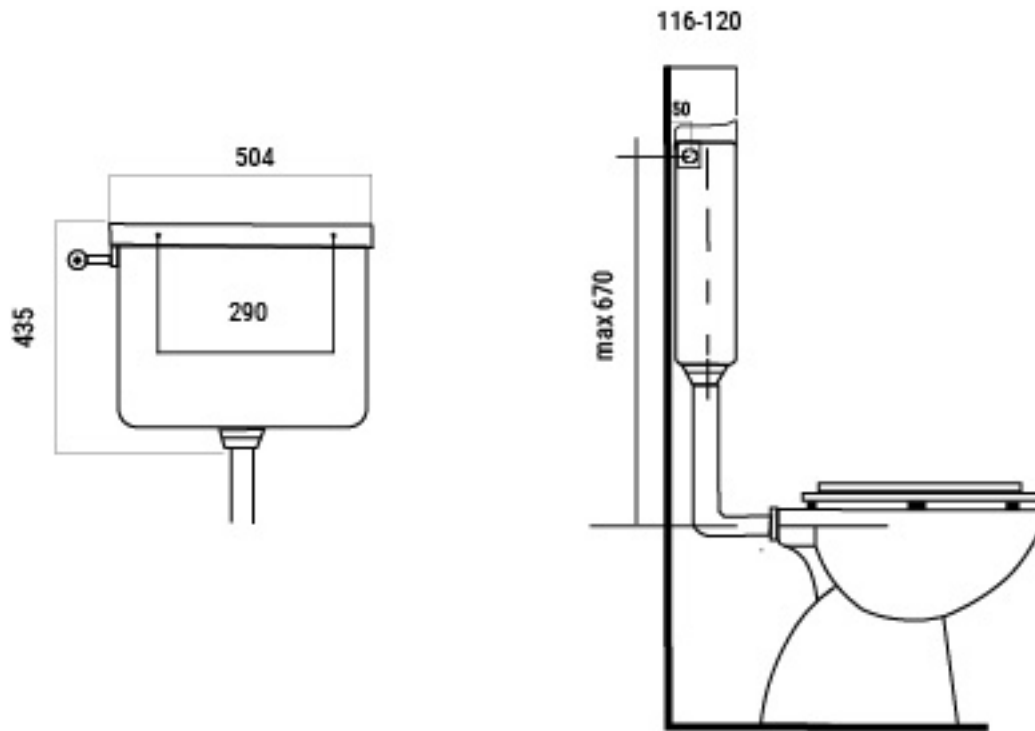
PACKAGING



packaging		pcs	L-P-H
	single	1	520x136x439
	multiple	6	858x534x468
	pallet	54	140x100x1524

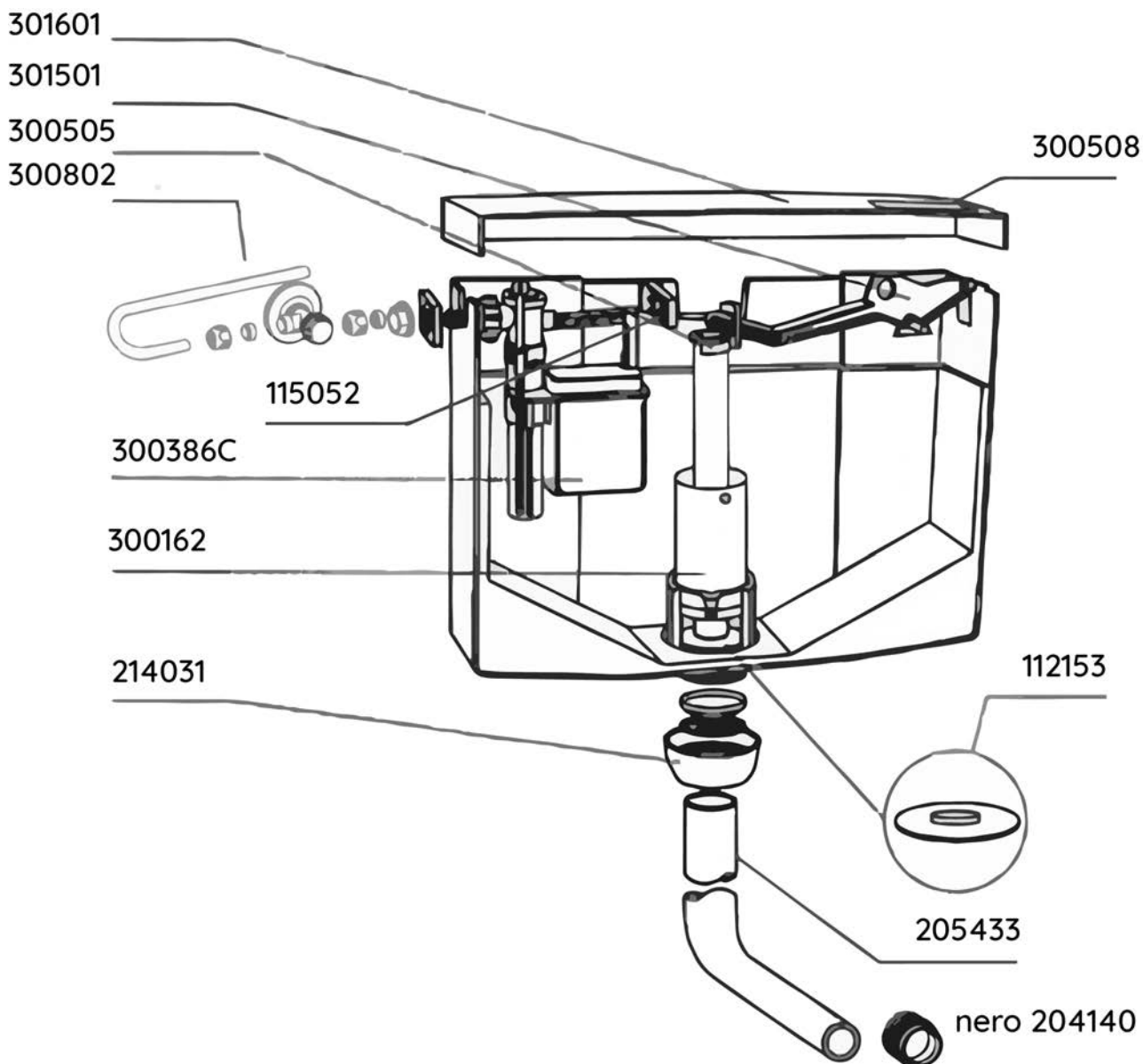
MODELS:

CODE	DESCRIPTION
332001	SLIM 116 WHITE-PIPE Ø 40 mm

DIMENSIONS

S

SPARE PARTS



S

LIST

CODE	DESCRIPTION
301601	Slim 116 lid with flush button
300508	Slim 116 button
300802	Stop valves
300505	Anchor
301501	Discharge lever
300386C	"Norma" float-valve 3/8"
300162	Discharge valve

CODE	DESCRIPTION
112153	Silicon gasket
300840	Slim 116 fixing accessory kit
205433	Discharge pipe 50x40x320mm
214031	Nut kit for Slim 116
204140	Black clamp gasket ø 40 mm for WC coupling
115052	Support for rear float-valve attachment

ACCESSORIES ON DEMAND

CODE	DESCRIPTION
215313	Pipe 50x32x1000mm
215363	Pipe 50x32x600mm
255353	Dismountable pipe 50x32x935mm
400021	Pneumatic lifting device
400101	Flush-mounted white pneu button
400103	Wall-mounted white pneu button
204132	Black clamp gasket ø 32 mm for WC coupling
300336	NORMA-PLUS float valve, acoustic cl.1, LGA-TUV approved