

Mounting frames for wall-mounted WC | Light weight walls



---

**TEKNO PRATIKA 9.0 technical data sheet**  
**Standard code 377309**

---

## Sommario

DESCRIPTION	3
FEATURES	3
STRUCTURE FEATURES	4
CISTERN FEATURES	4
DIMENSIONS	5
STANDARD SUPPLY	6
ON DEMAND	6
PACKAGING	6
ACCESSORIES AND SPARE PARTS	7
LIST	8

## Tekno PratiKa 9.0

Mounting frame for wall-mounted WC for lightweight walls, plasterboard and load-bearing installations.

### DESCRIPTION

Mounting frame for wall-mounted WC equipped with Monolith 9.0 cistern (9/6lt). Suitable for load-bearing installations, pre-existing load-bearing installations, lightweight walls and plasterboard.

### FEATURES

#### Features and plus



For wall-hung wc



For lightweight walls and plasterboard



For load-bearing and pre-existing load-bearing walls



9lt in-wall cistern (adjustable to 6lt)



Dual flush with adjustable partial flush (from 2.5 to 3.5lt)



Maintenance operations in 10 minutes



Assembly operations in 5 minutes



FLEXVALVE



Monoblock container



Lago system



NORMA-PLUS float valve (standard for cod. 377309)



100% Made in Italy

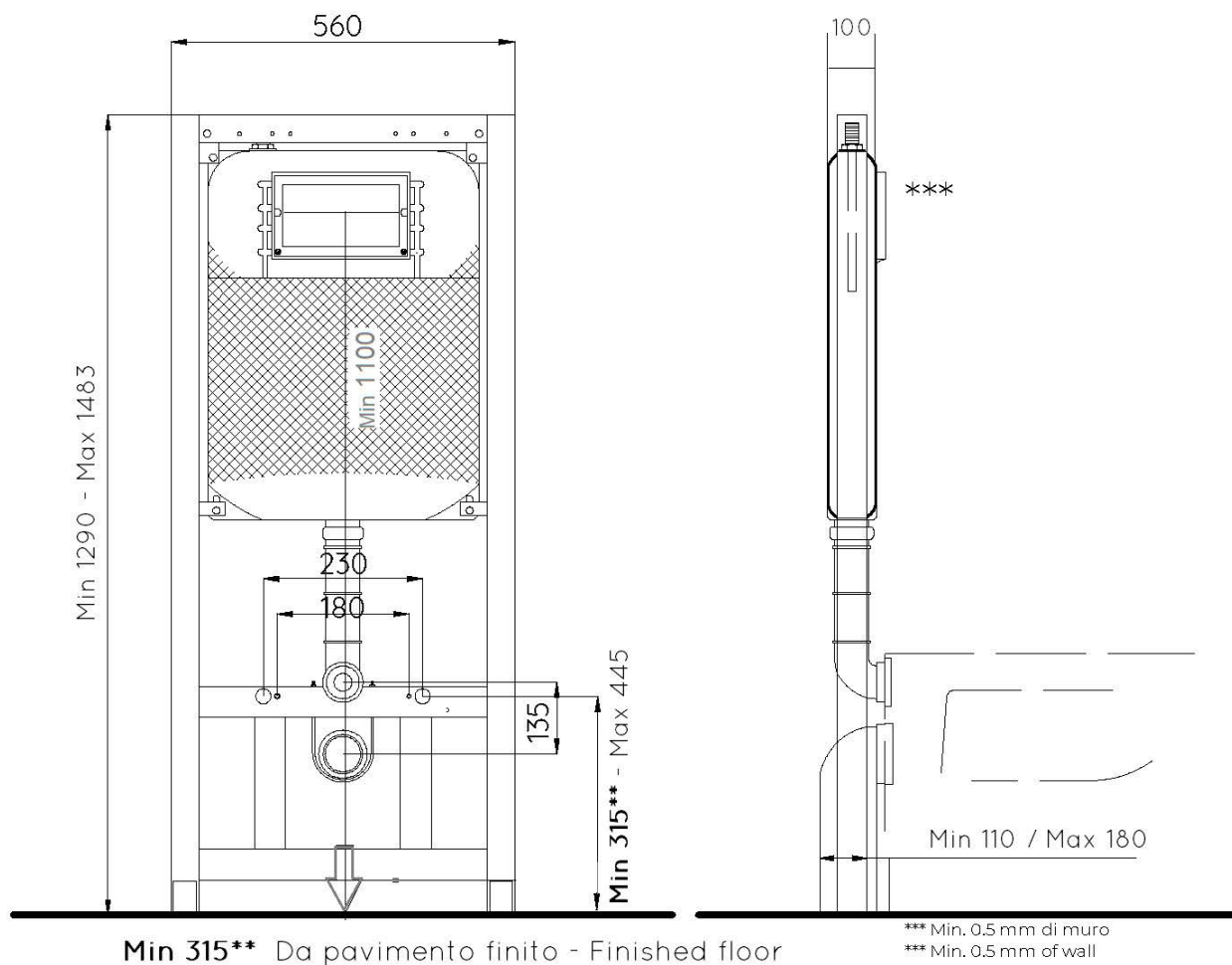
## STRUCTURE FEATURES

- Self-supporting painted tubular steel frame
- Total thickness for 100 mm rough walls
- Structure certified to bear 400kg according to standards UNI EN 977/1-997-89500/2 if installed correctly

## CISTERN FEATURES

- 9lt high density PE monoblock container without joints
- Repairable in case of accidental drilling
- Plaster holder fixing mesh (according to code)
- Extruded closed-cell PE insulation, anti-condensate and soundproofing with thermal resistance
- FlexValve: discharge valve with silicon gasket. Made of polypropylene with silicone additive (PTE)
- NORMA-PLUS float valve, acoustic class 1, LGA-TUV approved adjustable between 9 and 6lt (standard for code 377309)
- Maintenance operations without using tools
- Pneumatisable without the need to replace internal components

## DIMENSIONS



S

## STANDARD SUPPLY

- Self-supporting painted tubular steel frame
- Monolith 9.0 cistern fixed on frame
- WC fixing centre distances for M12 threaded bars adjustable to 180 mm and 230 mm
- M12 threaded rods for WC fixing with nuts, protective sleeves and caps
- White pipe for connection to wall-mounted WC and clamp gasket
- ø 90mm black sleeve with gasket
- Black outlet bend 90° ø 90 mm
- Universal fixing and assembly kit
- Dismountable stop valve 3/8"-3/8" including fitting 1/2"-3/8"
- Protection template to shape perimeter of tiles or plaster
- Protection caps for discharge pipe and outlet bend

IT NEEDS TO BE INTEGRATED WITH DUAL COUNTERPLATE COD. 317010

## ON DEMAND

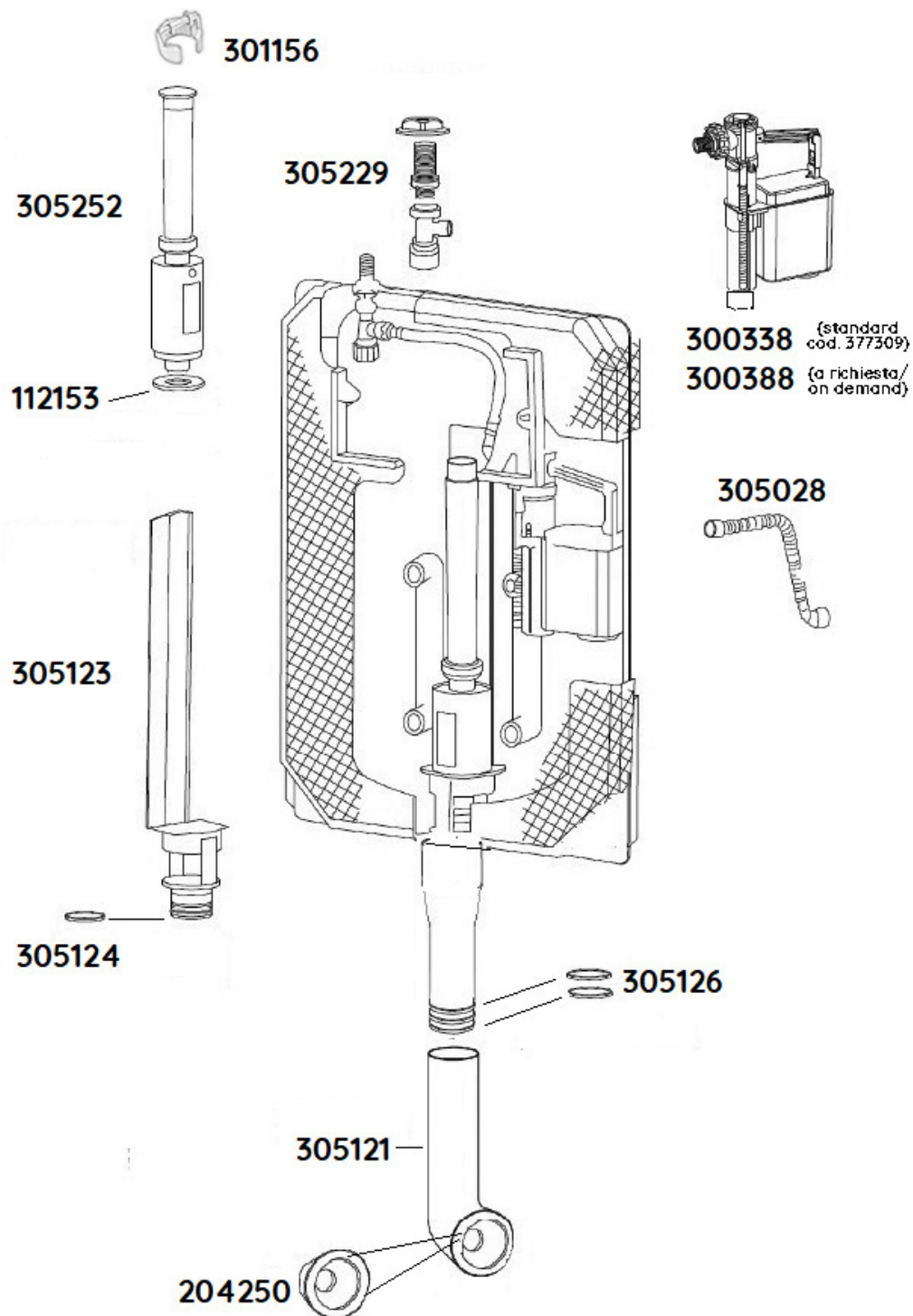
- Dual counter-plate
- Dual flush plate Fidia/Itaka/Aurea
- 90/110mm adaptor
- 90/100mm adaptor
- Pneu system

S

## PACKAGING

CODE	PCS	LxDxH	KG
377309	1	590x150x1320 mm	16,3

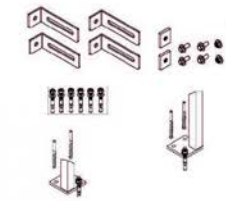
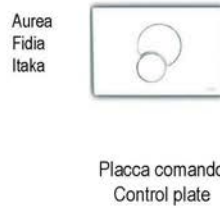
## ACCESSORIES AND SPARE PARTS



ACCESSORI INCLUSI  
INCLUDED

NON INCLUSI  
NOT INCLUDED

ACCESSORI A RICHIESTA  
ON DEMAND



LIST

Tekno PratiKa 9.0	
CODE	DESCRIPTION
305229	Dismountable brass stop valve 3/8"-3/8" including fitting 1/2"-3/8"
305028	Flexible hose with gasket L. 280 mm 3/8" - 3/8"
300388	Norma float valve 3/8" for concealed cisterns (on demand according to the code)
300338*	NORMA-PLUS float valve 3/8" for concealed cisterns, acoustic cl.1, (standard for code 377309)
305123	9.0 removable drain with O-ring gasket
305124	O-ring gasket for 9.0 drain
305252	Monolith 9.0 discharge valve
301156	Red anchor

Tekno PratiKa 9.0	
112153	Silicon gasket for discharge valve $\varnothing$ 60/21 mm
305121	Insulated discharge pipe, complete with conic gasket
204250	Universal conic gasket $\varnothing$ 60x32/40 mm
305126	O-ring gasket for discharge pipe coupling
369080	Black outlet bend 90° $\varnothing$ 90 mm (standard for cod. 377309)
379080	Black outlet bend 90° $\varnothing$ 90/110 mm
379081	Black sleeve with gasket $\varnothing$ 90mm (standard for cod. 377309)
617004	Concentric sleeve $\varnothing$ 100/110 mm
820560	Adaptor $\varnothing$ 90/110 mm
820561	Adaptor $\varnothing$ 90/100 mm
123003	M12 threaded bars for WC fixing, complete with nuts and protective covers
204015	White pipe $\varnothing$ 40 mm + clamp gasket $\varnothing$ 40 mm for connection to wall-mounted WC (standard for cod. 377309)
204016	White pipe $\varnothing$ 32 mm + clamp gasket $\varnothing$ 32 mm for connection to wall-mounted WC
369085	Pair of fixing caps for wall-hung WC
400190	Pneu transforming kit with aluminium inspection plate and remote white hand-button
400194	Pneu transforming kit with aluminium inspection plate and remote inox leg-button
400195	Pneu transforming kit with aluminium inspection plate and remote white plastic leg-button for floor/wall
400197	Pneu transforming kit with aluminium inspection plate and remote white hand-button